

DC UPS

12W / 9W



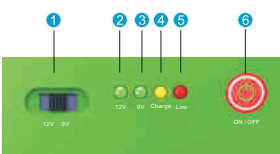
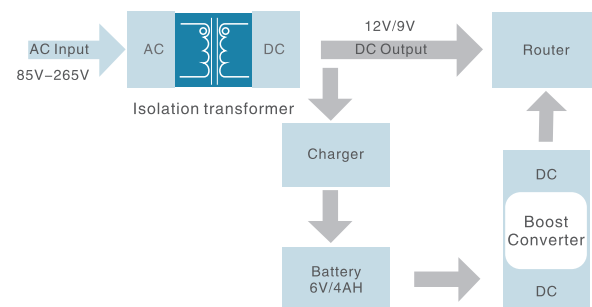
Features

- 12V/9V output switchable
- Cold start
- Overdischarge protection
- Auto restart when mains power is restored
- Battery low, overload alarm
- Short circuit protection
- Backup mode light load auto-shutdown (optional)

Application area

- Routers, modems, remote monitoring systems, warning systems, and other DC devices

Schematic design



Control Panel

1. Voltage Output Selector
2. 12V Output LED
3. 9V Output LED
4. Charger LED
5. Battery Low LED
6. Power On/Off

Specifications

MODEL	DC UPS
Capacity	12 W / 9 W
INPUT	
Voltage	150 V ~ 265 Vac
Current	< 0.2 A
OUTPUT	
Voltage	12 V / 9 Vdc
Current	1 A
Transfer time	0 ms
Backup time	4 hours @ 5 W load
BATTERIES	
Configuration	6 V / 4 Ah
Recharge time	6 ~ 8 h
OTHERS	
Net weight (kg)	1.1
Gross weight (kg)	1.2
Dimensions (W × D × H) (mm)	127 × 79 × 93
Packaged dimensions (W × D × H) (mm)	165 × 120 × 120

Our DC UPS is designed as a backup power for your devices such as routers, modems and many other DC devices. It is an ideal product for where the AC power is not stable or reliable. The DC UPS will provide hours backup time and get charged when AC supply recover.

FAQ

Q: Why the DC UPS could not use my adapter which I bought with my router?

A: The adapter bought with router is properly designed for router only. It may not provide sufficient power to fullfill the battery when the router is working, but our adapter inside the DC UPS can charge and max power output at the same time.

Q: Can this DC UPS provide backup time for my DC device?

A: Yes, but two conditions.

- 1, The input voltage of your device should be 9V or 12V.
- 2, The input current of your device should not exceed 1A.